

## The Clyde Lightweight Low Clearance (LLC) machine: delivering new levels of adaptability in clamshell machining.

If accessibility and portability are the challenges in your pipeline maintenance activities, the Clyde LLC is the answer to them.

That's because it has been specifically designed and developed as a cost-effective solution for small-scale pipecutting and weld preparation work in the most awkward operational spots – not least on offshore installations.

Capable of cutting light steel pipes of between 2" and 18" diameter, the Clyde LLC is nimble and easy to operate – but retains the recognised Clyde range characteristics of strength, speed and accuracy.

Its +/- 0.05mm welding preparation performance meets the standards demanded in the automatic welding era – and eliminates the hidden costs of high weld failure rates.

The steel split-frame Clyde LLC serves as testimony to our commitment to research & development: an innovation that broadens even further the application of our engineering experience and technological expertise.



---

**The agile pipecutting solution**

---

**Clyde-quality performance in small-scale operations**

---

**Delivers in the most inaccessible locations**

---

**Extends application of Clyde technology**

---

## Our LLC Clyde range

At Glacier Energy Services, we don't just believe in the traditional values of engineering. They're the cornerstones of our operations.

That's why our LLC Clyde range of products is defined by strength, trust and reliability.

We blend that philosophy with an innovative and adaptable approach to create solutions that reflect modern-day business imperatives. Solutions that are characterised by speed, accuracy and versatility.

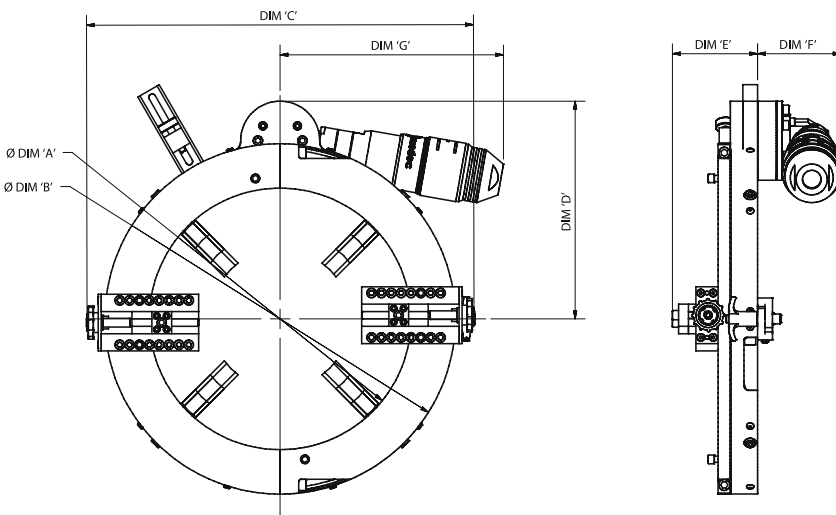
Our LLC Clyde products, based on hydrostatic bearing technology, are built and delivered to meet the toughest operational tests and the sternest logistical challenges anywhere in the world.

And because they're cold-cutting machines, they're helping our customers achieve the best possible health & safety standards.



LLC Clyde Dimension Table

MODEL No.	UNIT	PIPE RANGE	DIM A	DIM B	DIM C	DIM D	DIM E	DIM F	DIM G	DIM H	UNIT	ASSEMBLY WEIGHT INCLUDING:			SHIPPING DIMENSIONS	SHIPPING WEIGHT
												AIR DRIVE (S.T.R.)	AIR DRIVE (R.A.)	HYD DRIVE		
LLC 1"-6"	IMPERIAL	1"-6.625"	7.125	9.375	15.501	7.968	4.312	4.218	11.303	10.666	Lbs.	60.50	62.70	62.70	35"x22"x10"	84.70
	METRIC	25-168mm	180.98	238.13	393.73	202.39	109.52	107.14	287.10	270.92	Kg.	27.50	28.50	28.50	89x56x26cm	38.50
LLC 2"-8"	IMPERIAL	2.375"-8.625"	9.125	11.375	17.501	8.968	4.312	4.218	11.303	10.666	Lbs.	67.10	69.30	69.30	35"x22"x10"	91.30
	METRIC	60.3-219mm	231.78	288.93	444.53	227.79	109.52	107.14	287.10	270.92	Kg.	30.50	31.50	31.50	89x56x26cm	41.50
LLC 4"-10"	IMPERIAL	4.5"-10.75"	11.250	13.500	19.626	10.031	4.312	4.218	11.303	10.666	Lbs.	73.70	75.90	75.90	35"x22"x10"	97.90
	METRIC	114-273mm	285.75	342.90	498.50	254.79	109.52	107.14	287.10	270.92	Kg.	33.50	34.50	34.50	89x56x26cm	44.50
LLC 6"-12"	IMPERIAL	6.625"-12.75"	13.250	15.500	21.626	11.031	4.312	4.218	11.303	10.666	Lbs.	80.30	82.50	82.50	37"x25"x10"	104.50
	METRIC	168-324mm	336.55	393.70	549.30	280.19	109.52	107.14	287.10	270.92	Kg.	36.50	37.50	37.50	94x64x26cm	47.50
LLC 8"-14"	IMPERIAL	8.625"-14"	14.500	16.750	22.876	11.656	4.312	4.218	11.303	10.666	Lbs.	86.90	82.50	89.10	39"x27"x10"	111.10
	METRIC	219-355mm	368.30	425.45	581.05	296.06	109.52	107.14	287.10	270.92	Kg.	39.50	37.50	40.50	99x69x26cm	50.50
LLC 10"-16"	IMPERIAL	10.75"-16"	16.500	18.750	24.876	12.656	4.312	4.218	11.303	10.666	Lbs.	93.50	95.70	95.70	41"x29"x10"	117.70
	METRIC	273-406mm	419.10	476.25	631.85	321.46	109.52	107.14	287.10	270.92	Kg.	42.50	43.50	43.50	105x74x26cm	53.50
LLC 12"-18"	IMPERIAL	12.75"-18"	18.500	20.750	26.876	13.656	4.312	4.218	11.303	10.666	Lbs.	97.90	95.70	95.70	43"x31"x10"	117.70
	METRIC	323-457mm	469.90	527.05	682.65	346.86	109.52	107.14	287.10	270.92	Kg.	44.50	43.50	43.50	110x79x26cm	53.50



### Glacier Energy

T: +44 (0)141 763 1516

E: [gms@glacierenergy.com](mailto:gms@glacierenergy.com)

F: +44 (0)141 778 4872

Contact your local Glacier Energy office or find one of our international partners:

[www.glacierenergy.com](http://www.glacierenergy.com)