

Diesel Driven Hydraulic Power Unit

Powering your onsite precision machining requirements

Originally founded as Roberts Machining, the Clyde range of products from Glacier Energy set the industry standards.

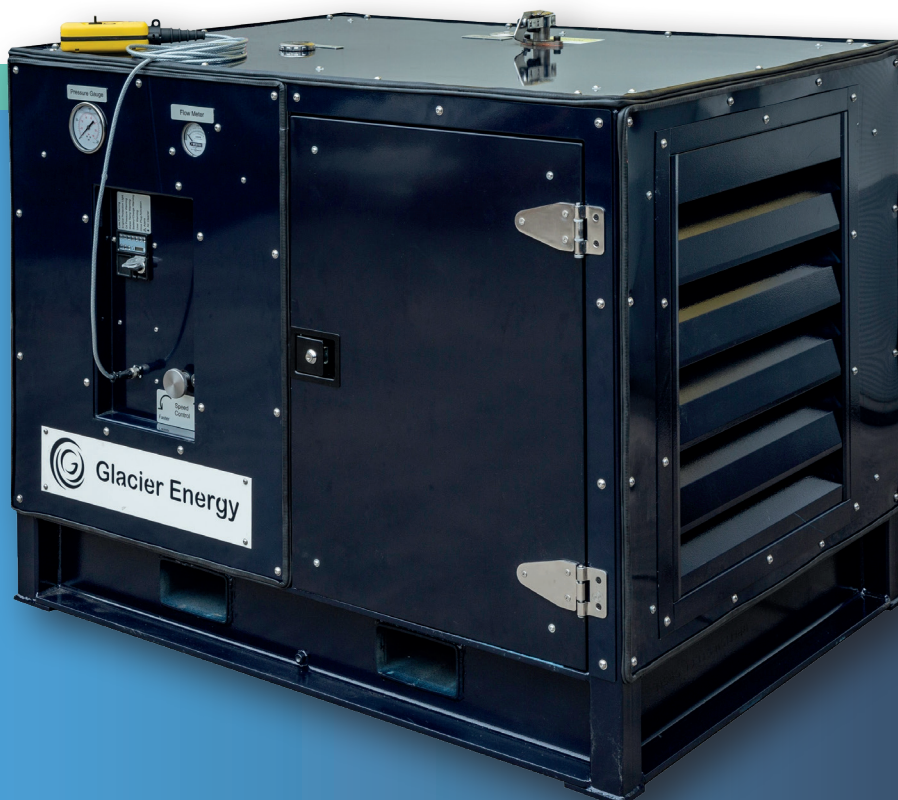
Built to the same exacting quality, Glacier Energy also designs and manufactures Hydraulic Power Units (HPUs), both as a standard product and customised to suit our clients' requirements, which are compatible for driving all Clyde and LC Clyde machining products.

Our portable Diesel Driven HPU ensures machines can be used in any environment and is ideally suited for use in remote locations, removing the need for generators to be transported to site.

With a noise level of only 70DBA at 1 metre and incorporating a pendant control with an operator safety switch, health & safety standards are at the forefront of the HPU's design.

Our Diesel Driven HPU is also EU Stage 5 compliant, meeting the most stringent directives on emissions and environmental standards, with the added benefit of low running costs.

Just as our Clyde range of products is defined by strength, trust and reliability, our Diesel Driven HPU equipment is built to meet the toughest operational tests and the sternest logistical challenges anywhere in the world, keeping your onsite operations moving.



Key benefits

- Low Noise, only 70DBA at 1 Metre
- Low Engine Emissions – EU Stage 5 Compliant
- Low Running Costs
- Pendant Control with an operator safety switch
- Also available for rental

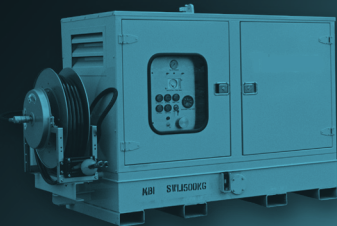
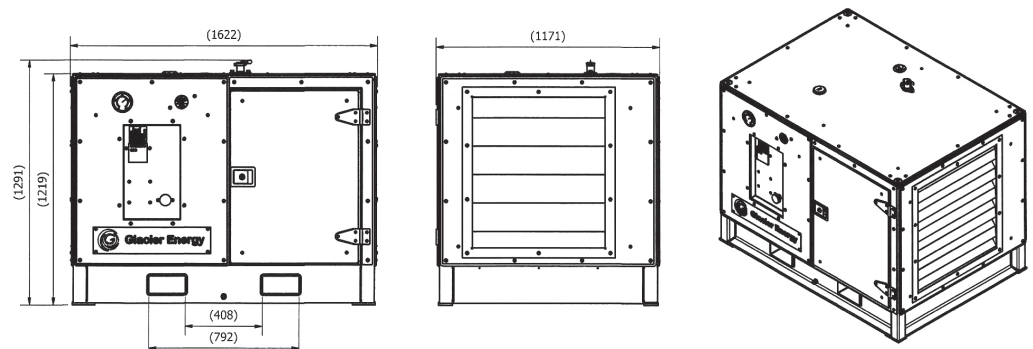
Technical Specification

Glacier Machining Solutions can design and build Diesel Driven (or Electric) HPU's to your preferred specification if required. Please contact us for more details or to discuss your specific requirements.

Accessories

Additional accessories available include:

- Chalwyn Valve
- Spark Arrestor
- Hydraulic Hose Assemblies



Fully integrated partner

Glacier Energy is a specialist provider of onsite machining equipment for sale and rental. We have an established global track record delivering major projects across the energy sector, for both topside and subsea applications as well as onshore sectors including construction yards, petrochemical and power generation.



Glacier Machining Solutions
Unit 603, Clyde Gateway East
London Road
Glasgow G32 8RH

T. +44 (0)141 763 1516
E. info@glacierenergy.com
glacierenergy.com